

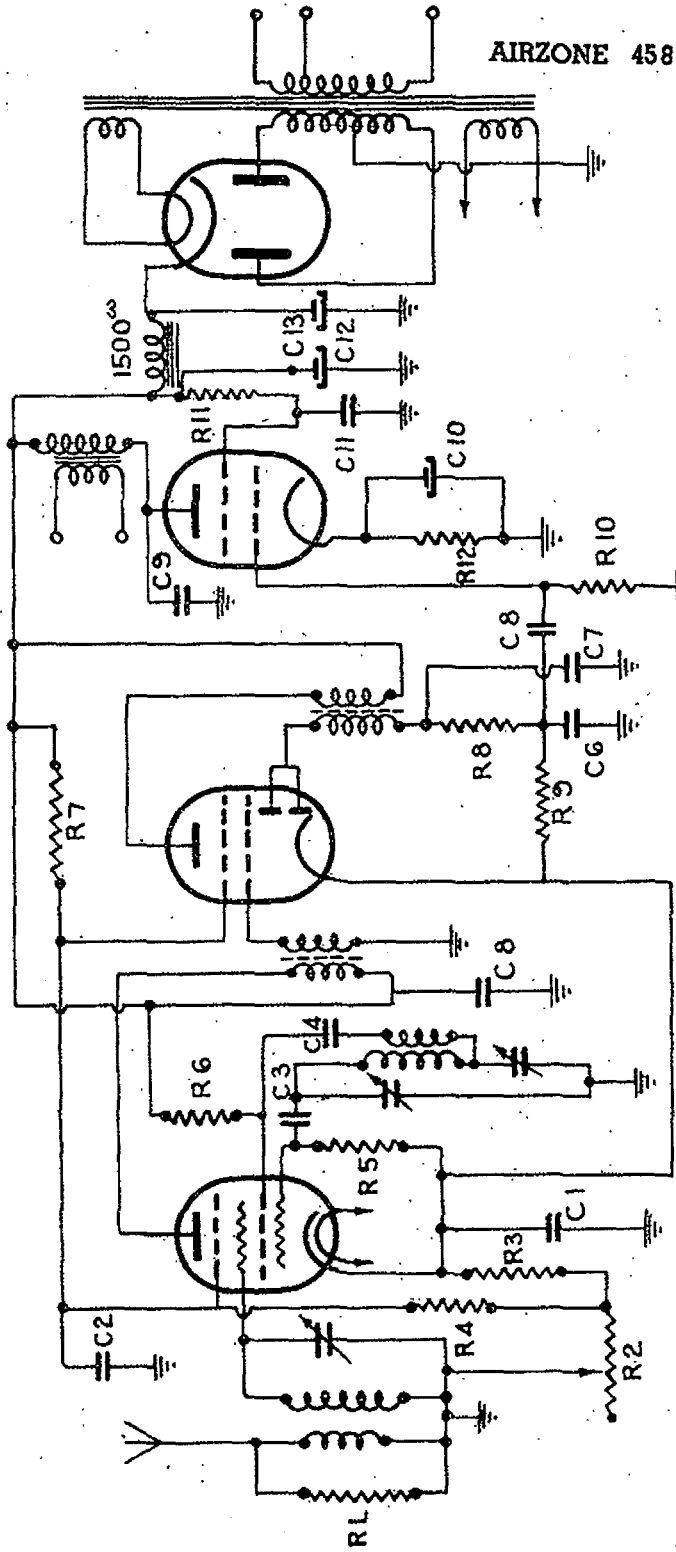
6X5G

6V6G

6G8G

6A8G

AIRZONE 458



R1	1/4 watt	10,000 W
R2	VC	3,000 W
R3	250 WW	W1
R4	1/2 watt	50,000 W
R5	" "	"
R6		25,000 W
R7	1 watt	15,000 W
R8	1/4 "	50,000 W
R9	5 Meg	1/4 watt
R10	"	"
R11	50K	1/2 "
R12	250 W.	WW.
C1	25 mf.	400 v.
C2	.02 mf.	"
C3	100 mmf.	Mica
C4	1000mmf	"
C5	.1 mf.	400 v.
C6	250mmf.	Mica
C7	" "	"
C8	.01 m/	400 v.
C9	" "	"
C10	10 m/	Elec.
C11	.5 m/	400 v.
C12	8 m/	525 v.
C13	" "	"

CHASSIS TYPE 408 IF 456 KC